



MULTI-STATION MANIFOLD CETOP 7

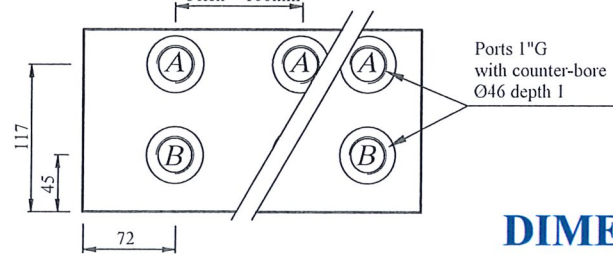
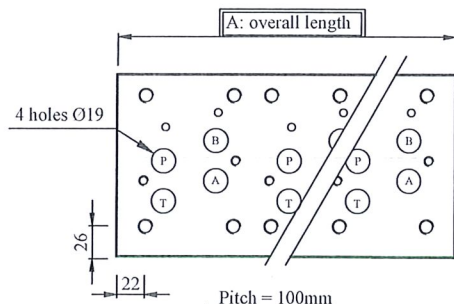
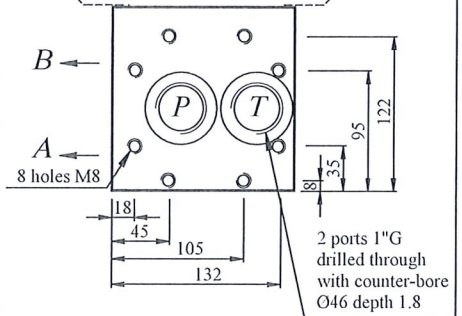
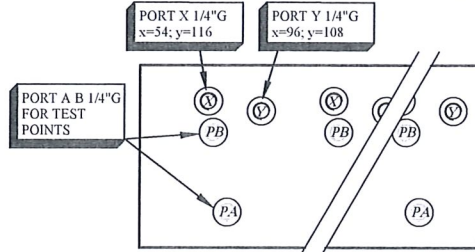
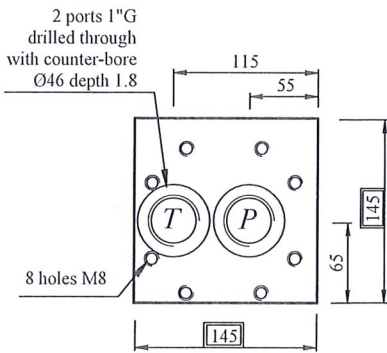
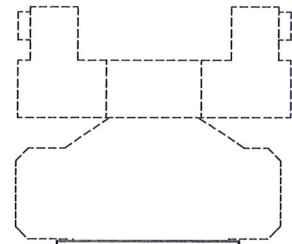
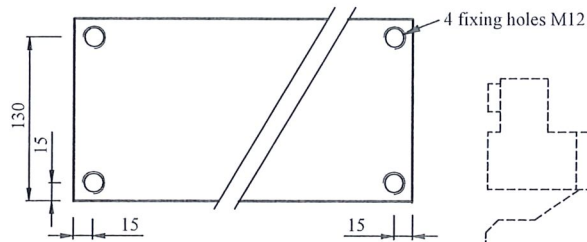
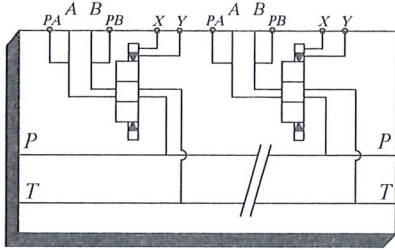
S7L

A24

SIDE EXIT

- Sorties latérales
- Seitlich

- Service pressure 420bar.
- Possibility to connect with a special manifold.
- Possibility to connect with several block S5 or S7.



DIMENSIONS

MODEL	A	weight (KG)
S7L1GG	115	15
S7L2GG	215	28
S7L3GG	315	40
S7L4GG	415	53
S7L5GG	515	65

MODEL CODE

